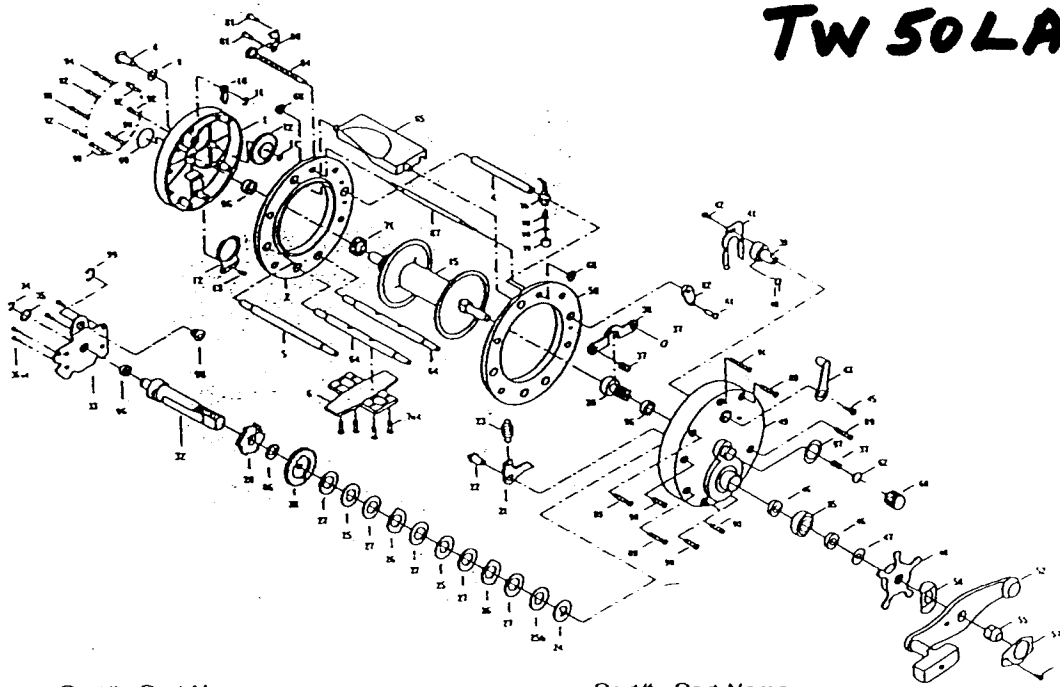


TIDEWATER

TW50LA
REV: 6/23/00

- 2 different schematics for this reel. This is current schematic packaged with reel.

TW50LA



79-58-0713-01

Part#	Part Name	Part#	Part Name
1	Left Side Plate	46	Bushing
2	Frame Left Side Plate Cover	47	Washer(0.5mm)
4	Line Guard	48	Star Drag
5	Frame Support Shaft	49	Right Side Plate
6	Foot	50	Frame Right Side Plate
7	Foot Screw	52	Handle Assembly
8	Bait Click Button	55	Handle Nut
9	Bait Click Button Washer	57	Handle Nut Retainer
10	Click Pawl 79-43-0143-01	58	Handle Spring-Washer 6K-161-401
11	E. Clip 79-15-0019-01	60	Spool Tension Knob 79-12-0076-01
12	Click Power Spring	* 61	Spool Tension Knob Washer NA
13	Click Power Spring Screw	62	Spacer
15	Spool Assembly	64	Frame Support Shaft
20	Pinion Gear 79-46-0125-01	65	Thumb Bar
21	Anti-Reverse Pawl	68	Line Guide Support Shaft Nut
22	Anti-Reverse Pawl Fixed Pin	69	Logo
23	Anti-Reverse Spring	71	Driving Gear
24	Spring Washer	72	Medium Gear 79-28-0233-01
25	Drag Washer (Square Center/1mm)	75	Line Guide Assembly
25b	Drag Washer (Square Center/0.5mm)	77	Line Guide Pawl Cap 79-12-0077-01
26	Key Washer	78	Line Guide Pawl 79-43-0141-01
27	Drag Washer 79-72-0717-01	79	Line Guide Paw Washer
28	Main Gear	80	Worm Shaft Fixed Plate
29	Ratchet Gear Assembly	81	Pin
* 30	Washer (Square center) NA	82	Bushing
32	Main Gear Shaft	84	Worm Shaft (Level Wind) 79-60-0188-01
33	Main Gear Shaft Support Plate	86	Washer
34	E. Clip 79-15-0050-01	87	Line Guide Support Shaft
35	Washer	88	Handle Nut Retainer Screw 78-18-46
36	Screw	89	Right Side Plate Screw (15mm)
37	Yoke Spring 79-67-0714-01	90	Frame Support Shaft Screw (10mm)
38	Yoke	91	Thumb Bar Screw (16.5mm)
39	Clutch Cam	92	Left Side Plate screw (12.5mm)
40	Clutch Cam Spring	94	Thumb Bar Screw (15mm)
41	Clutch Plate	95	Stainless Steel Ball Bearing
42	Clutch Plate Screw	96	Bushing
43	Clutch Arm	97	O-Ring 79-54-0137-01
45	Clutch Arm Screw	98	Main Shaft
		99	E. Clip

* 100 Ball Bearing